



TECHNICAL DATA SHEET

K-8083-SS

Wall mount door bumper
with stainless steel exposed mounting flange

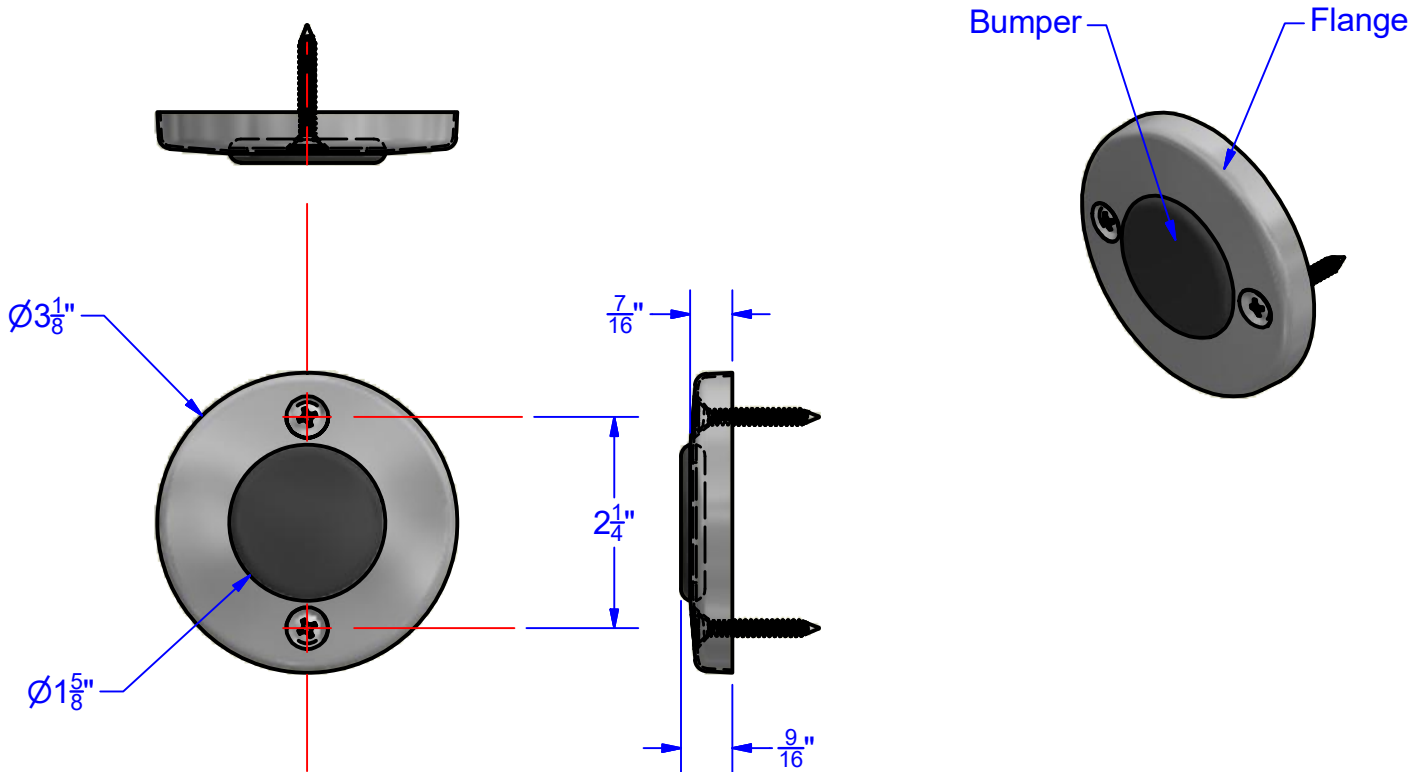
DRAWN BY:
dmartin

1/5/2016

TOLERANCES:

FRACTION : $\pm 1/32''$ X.XX : ± 0.015

\sphericalangle : $\pm 1^\circ$ X.XXX : ± 0.010



Construction:

Flange: 22 gauge type 304 stainless steel. (2) formed countersunk .187 ϕ holes.

Bumper: black sbr rubber.

Screws: #8 x 1 1/4" phillips oval head 18-8 stainless steel.

Installation:

Align bumper to where door handle will hit the wall.

Fasten to wall using (2) supplied screws and wall anchors.

Anchors are not needed if mounting to wall studs.

Hole orientation may be in any direction.

Guide Specification:

Exposed wall mount

1 5/8" ϕ black rubber door bumper

3 1/8" ϕ stainless steel exposed mounting flange.

Satin #4 brush finish.